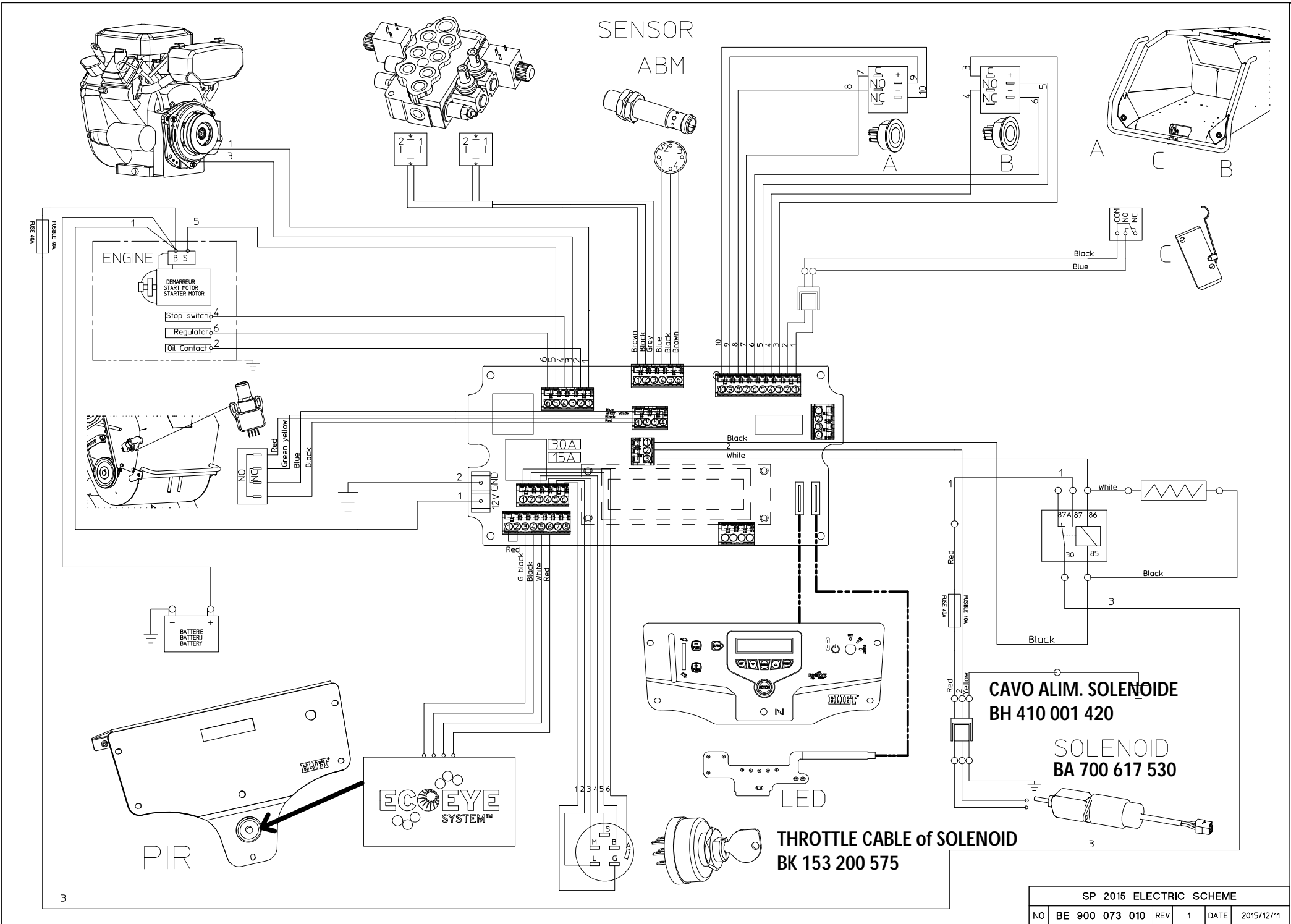


| | | | | | |
|----|----------------|-----|---|------|------------|
| NO | MMA 01 073 100 | REV | 1 | DATE | 2016/03/21 |
|----|----------------|-----|---|------|------------|

| # | Order nr | article description | quantity |
|-----|----------------|---------------------|----------|
| 120 | MMA 01 073 120 | | 1 |
| 130 | MMA 01 073 130 | | 1 |
| 140 | MMA 01 073 140 | | 1 |
| 150 | MMA 01 073 150 | | 1 |
| 160 | MMA 01 073 160 | ejection tray | 1 |
| 170 | MMA 01 073 170 | | 1 |
| 180 | MMA 01 073 180 | | 1 |
| 190 | MMA 01 073 190 | | 1 |
| 210 | MMA 01 073 210 | | 1 |
| 220 | MMA 01 073 220 | | 1 |



SENSOR
ABM

A
C
B

ENGINE

DEMARREUR
START MOTOR
STARTER MOTOR

Stop switch
Regulator
Oil Contact

BATTERIE
BATERIU
BATTERY

EC EYE
SYSTEM™

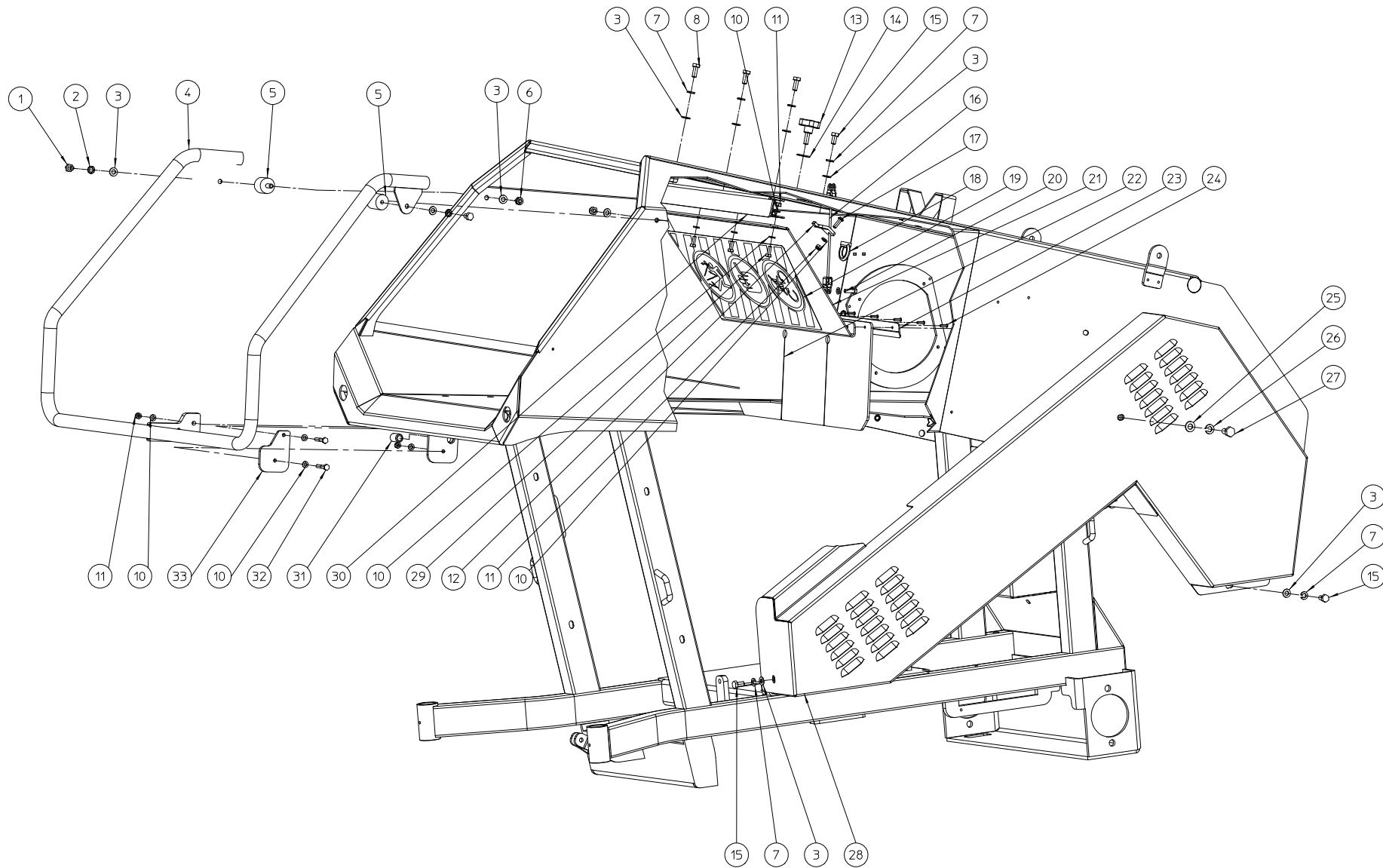
PIR

THROTTLE CABLE of SOLENOID
BK 153 200 575

CAVO ALIM. SOLENOIDE
BH 410 001 420

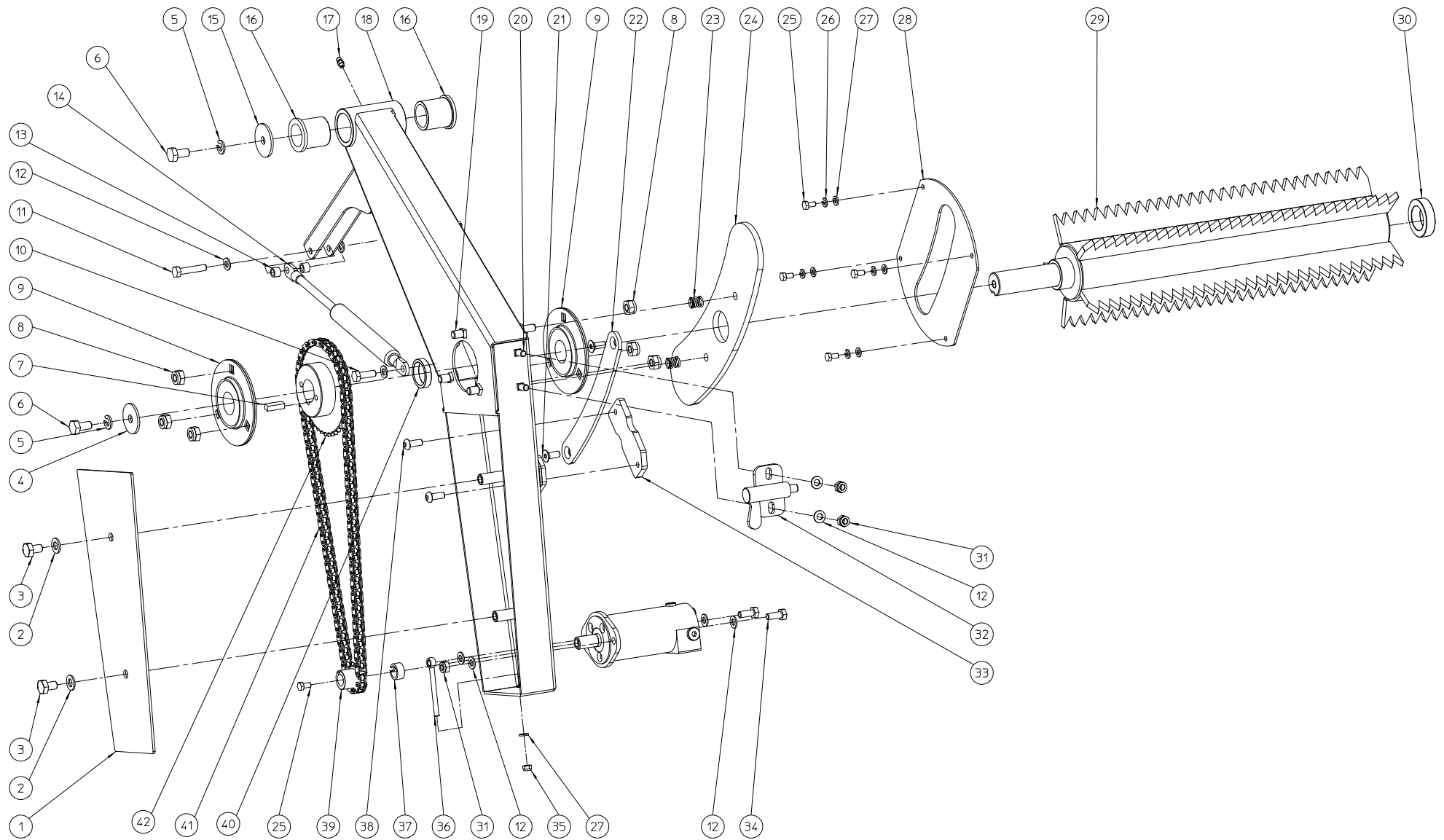
SOLENOID
BA 700 617 530

| SP 2015 ELECTRIC SCHEME | | | | |
|-------------------------|----------------|-----|---|-----------------|
| NO | BE 900 073 010 | REV | 1 | DATE 2015/12/11 |



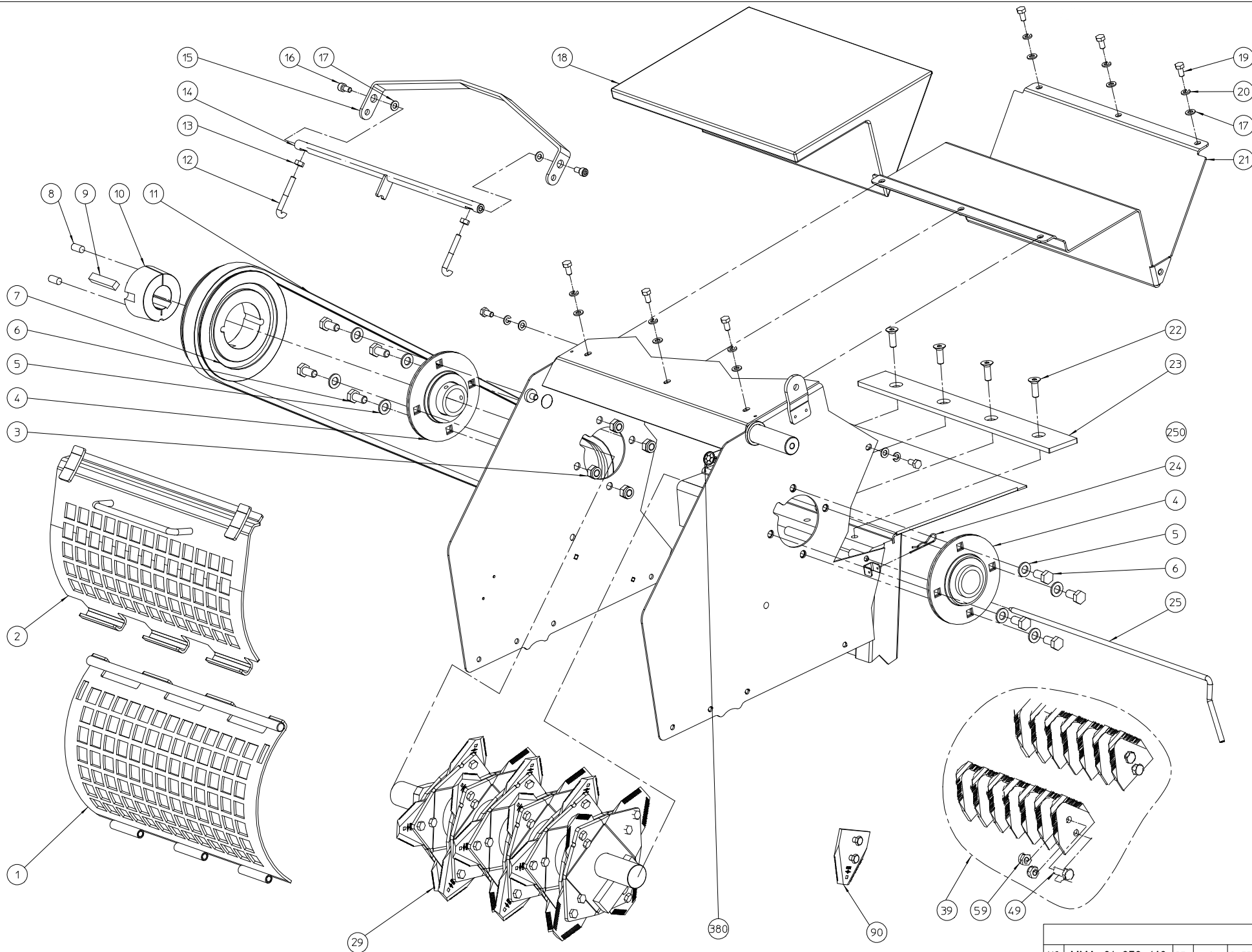
| | | | | | |
|----|----------------|-----|---|------|------------|
| NO | MMA 01 073 120 | REV | 1 | DATE | 2015/10/28 |
|----|----------------|-----|---|------|------------|

| # | Order nr | article description | quantity |
|----|----------------|---------------------------------------|----------|
| 1 | BS 512 000 812 | bolt m8x12 din 933 | 2 |
| 2 | BS 534 000 800 | lock washer m8 din 6798a | 2 |
| 3 | BS 531 000 800 | washer m8 din 125 | 10 |
| 4 | MPA 01 073 180 | safety handle | 1 |
| 5 | BR 600 130 301 | antivibration blocks 30x30b m8x16 | 2 |
| 6 | BS 502 000 800 | self locking nut m8 din 985 | 2 |
| 7 | BS 533 000 800 | lock washer m8 din 127b | 6 |
| 8 | BS 512 000 820 | bolt m8x20 din 933 | 3 |
| 10 | BS 531 000 600 | washer m6 din 125 | 15 |
| 11 | BS 502 000 600 | self locking nut m6 din 985 | 8 |
| 12 | MPA 01 073 810 | connection flap control | 1 |
| 13 | BN 630 208 200 | lob knob m8x20 | 1 |
| 14 | BS 532 008 253 | washer m8x25x1.5 | 1 |
| 15 | BS 512 000 816 | bolt m8x16 din 933 | 3 |
| 16 | BK 152 250 201 | cable support anti projectionplate | 1 |
| 17 | BS 522 500 620 | screw m6x20 iso 7380 | 1 |
| 18 | BS 507 000 008 | lifting eye nut m8 din 582 | 1 |
| 19 | BQ 505 010 100 | safety sticker 465x200 (shield) | 1 |
| 20 | BS 512 000 620 | bolt m6x20 din 933 | 1 |
| 21 | MPA 01 073 510 | anti projectionplate | 1 |
| 22 | BR 900 001 670 | rubber anti projection flap 510 x 210 | 1 |
| 23 | MPA 01 073 590 | support rubber anti-projection | 1 |
| 24 | BB 221 104 140 | pop plug alu 3.9x14 din 7337 a | 6 |
| 25 | BS 531 001 000 | washer m10 din 125 | 1 |
| 26 | BS 533 001 000 | lock washer m10 din 127b | 1 |
| 27 | BS 512 001 020 | bolt m10x20 din 933 | 1 |
| 28 | MPA 01 073 200 | belt cover | 1 |
| 29 | BS 512 000 616 | bolt m6x16 din 933 | 4 |
| 30 | MPA 01 073 300 | set square support anti-projection | 1 |
| 31 | BS 351 601 624 | spring loaded plunjer m16x24 | 1 |
| 32 | BS 511 000 635 | bolt m6x35 din 931 | 2 |
| 33 | MPA 01 073 650 | plate security switch | 1 |



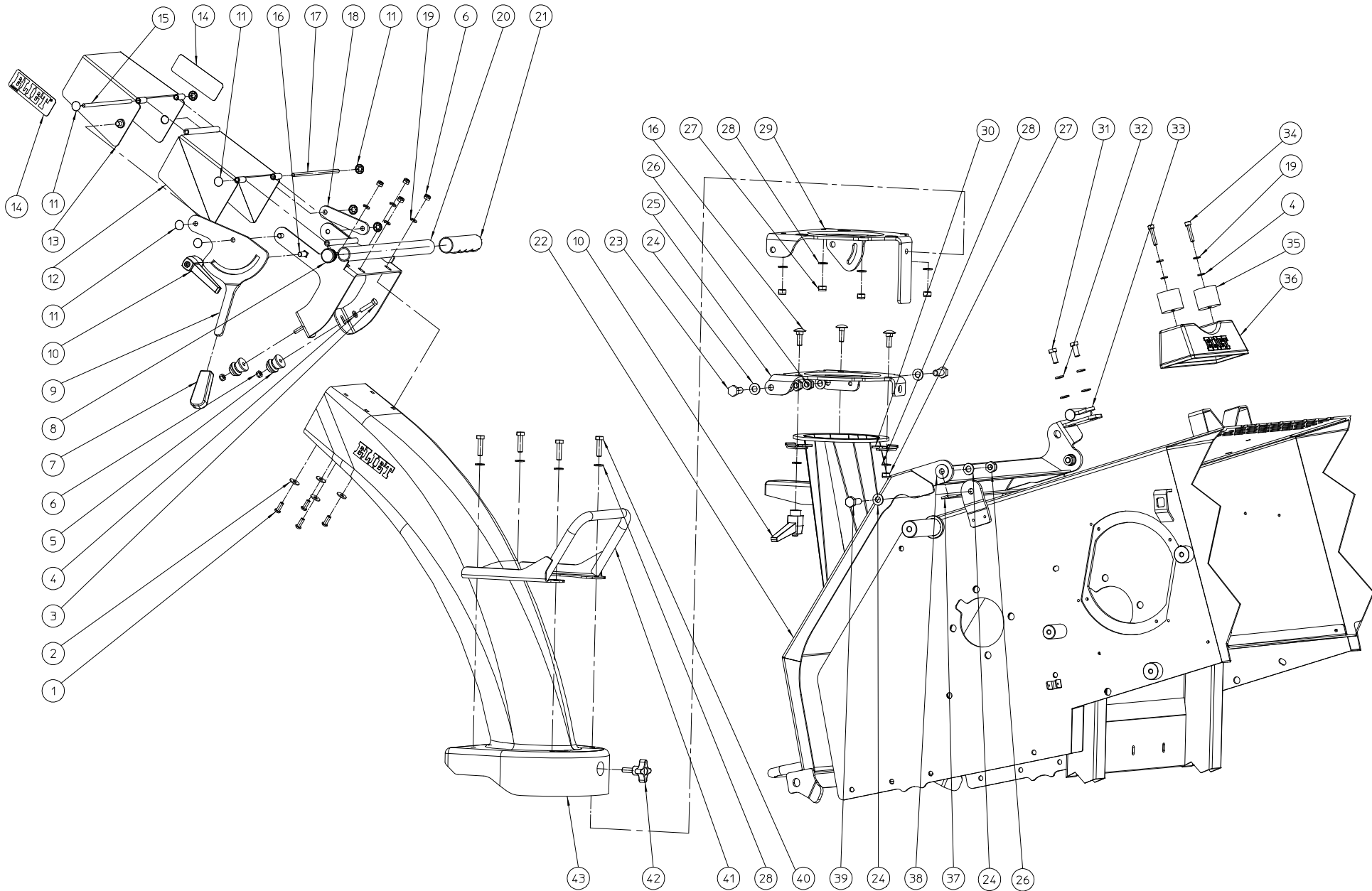
| | | | | | |
|----|----------------|-----|---|------|------------|
| NO | MMA 01 073 130 | REV | 1 | DATE | 2016/03/02 |
|----|----------------|-----|---|------|------------|

| # | Order nr | article description | quantity |
|----|----------------|---------------------------------|----------|
| 1 | MPA 01 073 550 | | 1 |
| 2 | BS 531 001 000 | washer m10 din 125 | 2 |
| 3 | BS 512 001 016 | bolt m10x16 din 933 | 2 |
| 4 | BS 532 010 406 | washer m10x40x3 | 1 |
| 5 | BS 533 001 000 | lock washer m10 din 127b | 2 |
| 6 | BS 512 001 020 | bolt m10x20 din 933 | 2 |
| 7 | BB 341 080 725 | key 8x7x25 din 6880 | 1 |
| 8 | BS 502 001 000 | self locking nut m10 din 985 | 6 |
| 9 | BL 801 503 000 | bearing + flanges aspf 206 | 2 |
| 10 | BS 512 000 825 | bolt m8x25 din 933 | 1 |
| 11 | BS 512 000 840 | bolt m8x40 din 933 | 1 |
| 12 | BS 531 000 800 | washer m8 din 125 | 9 |
| 13 | MPA 01 070 420 | bushing | 2 |
| 14 | BV 521 010 001 | gas struts 500n x 100mm | 1 |
| 15 | MPA 01 073 870 | washer 44x10x3 | 1 |
| 16 | BR 112 304 090 | nylon bushing with collar | 2 |
| 17 | BY 100 106 100 | grease fitting m6 din 71412 | 1 |
| 18 | MPA 01 073 130 | arm pinch roll | 1 |
| 19 | BS 554 101 020 | bolt m10x20 din603 | 6 |
| 20 | BS 554 100 820 | bolt m8x20 din 603 | 2 |
| 21 | BS 522 100 820 | screw m8x20 din 7991 | 2 |
| 22 | MPA 01 073 790 | guide arm feed roller | 1 |
| 23 | BV 911 000 010 | spring 14x2x16 | 2 |
| 24 | BR 910 000 810 | nylon cover sp2015 | 1 |
| 25 | BS 512 000 612 | bolt m6x12 din 933 | 5 |
| 26 | BS 533 000 600 | lock washer m6 din 127b | 4 |
| 27 | BS 531 000 600 | washer m6 din 125 | 5 |
| 28 | MPA 01 073 560 | | 1 |
| 29 | MPA 01 073 110 | pinch roll | 1 |
| 30 | BR 111 321 310 | nylon bushing (32/50x13) | 1 |
| 31 | BS 502 000 800 | self locking nut m8 din 985 | 4 |
| 32 | MPA 01 073 290 | lock 10mm | 1 |
| 33 | MPA 01 073 780 | thrust block arm feed roller | 1 |
| 34 | BS 512 000 820 | bolt m8x20 din 933 | 2 |
| 35 | BS 502 000 600 | self locking nut m6 din 985 | 1 |
| 36 | BS 551 100 646 | eye bolt m6x70 din 444 | 1 |
| 37 | MPA 01 070 430 | spacer ring | 1 |
| 38 | BS 522 500 820 | screw m8x20 iso 7380 | 2 |
| 39 | BA 161 012 162 | sprocket simplex 3/8"x7/32" 12t | 1 |
| 40 | MPA 01 073 680 | spacer ring | 1 |
| 41 | BA 101 104 020 | chain simplex 3/8"x7/32" 104l | 1 |
| 42 | BA 161 040 301 | sprocket 40z 3/8"x7/32" simplex | 1 |



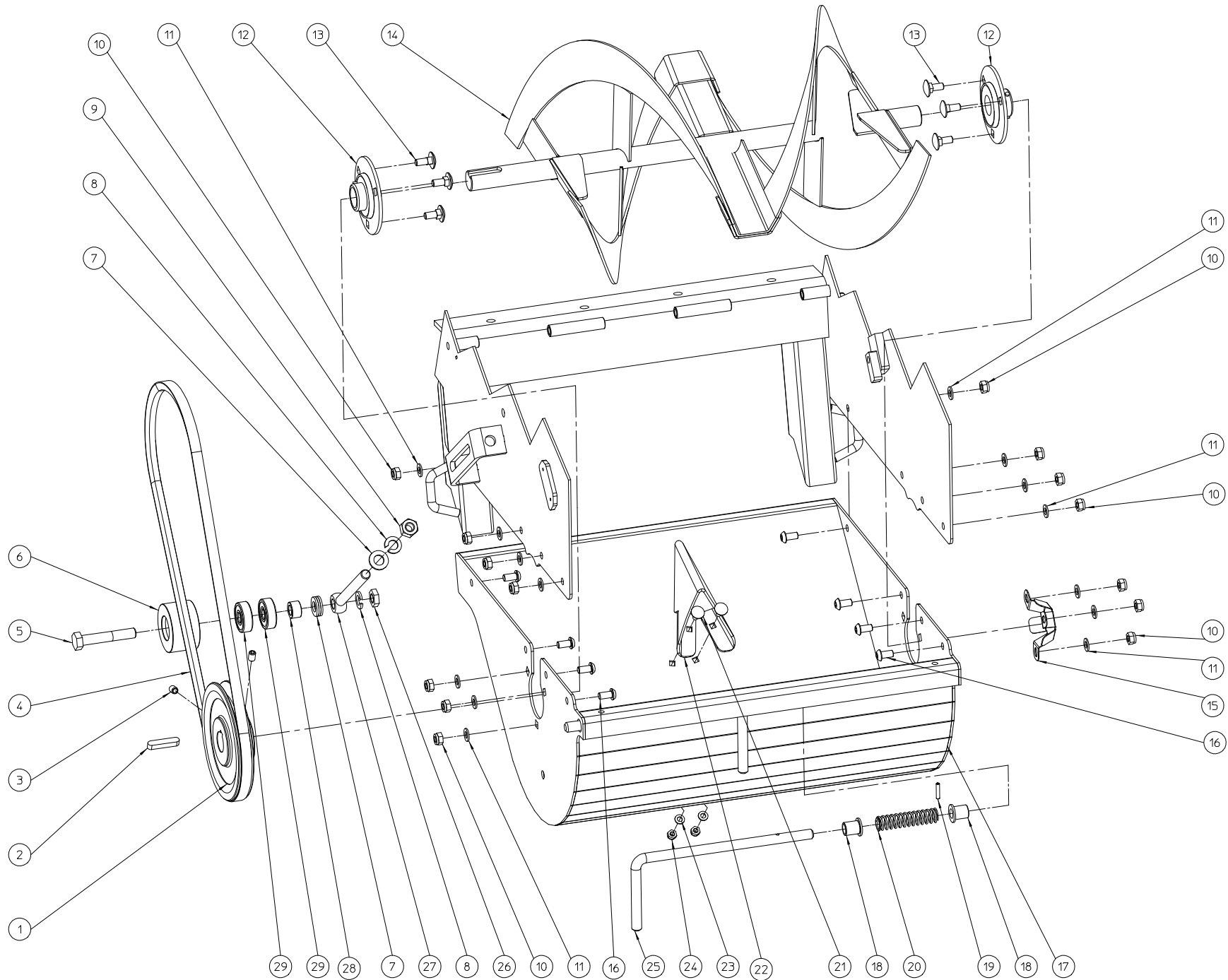
| | | | | | |
|----|----------------|-----|---|------|------------|
| NO | MMA 01 073 140 | REV | 1 | DATE | 2015/10/28 |
|----|----------------|-----|---|------|------------|

| # | Order nr | article description | quantity |
|-----|----------------|--|----------|
| 1 | MPA 01 073 150 | lower calibrating grill | 1 |
| 2 | MPA 01 073 160 | upper calibrating grill | 1 |
| 3 | BS 502 001 200 | self locking nut m12 din 985 | 8 |
| 4 | BL 801 604 001 | kit bearing ucpf 208 complete | 2 |
| 5 | BS 531 001 200 | washer m12 din 125 | 8 |
| 6 | BS 512 001 225 | bolt m12x25 din 933 | 8 |
| 7 | BA 562 718 030 | pulley 3 spa 180 tl2517 | 1 |
| 8 | BB 501 311 220 | set screw 7/16"x7/8" | 2 |
| 9 | BB 341 121 060 | key 12x10x60 din 6880 | 1 |
| 10 | BB 501 164 000 | taper lock tl 2517-40 | 1 |
| 11 | BA 552 221 200 | xpa 2120/2 powerband multibrins | 1 |
| 12 | MPA 01 070 400 | hook for rapid fastener | 2 |
| 13 | BS 501 000 800 | nut m8 din 934 | 2 |
| 14 | MPA 01 073 380 | axe closure grate | 1 |
| 15 | MPA 01 073 570 | lever closure grate | 1 |
| 16 | BS 521 100 816 | screw m8x16 din 912 | 2 |
| 17 | BS 531 000 800 | washer m8 din 125 | 10 |
| 18 | BQ 158 010 150 | isolation rotor | 1 |
| 19 | BS 512 000 816 | bolt m8x16 din 933 | 8 |
| 20 | BS 533 000 800 | lock washer m8 din 127b | 8 |
| 21 | MPA 01 073 310 | isolationplate | 1 |
| 22 | BS 022 101 030 | bolt m8x18 din 7991 10,9 | 4 |
| 23 | MPA 01 070 180 | fixation profile | 1 |
| 24 | BB 040 102 040 | hairpin cotter 2mm din 11024 | 1 |
| 25 | MPA 01 070 210 | axle grating | 1 |
| 29 | | Rotor assembly Superprof 2015 | 1 |
| 29 | MPA 01 280 080 | Rotor assembly Superprof Max 2015 | 1 |
| 39 | BU 401 300 202 | standard - 8 set steel knife Superprof | 1 |
| 39 | BU 401 301 000 | resist -10 set steel knife Superprof MAX | 1 |
| 49 | BS 011 300 827 | bolt 8 standard steel knife Superprof | 48 |
| 49 | BS 012 401 030 | bolt 10 resist steel knife Superprof MAX | 48 |
| 59 | BS 502 000 811 | nut 8 standard steel knife Superprof | 48 |
| 59 | BS 502 001 011 | nut 10 resist steel knife Superprof MAX | 48 |
| 90 | BU 101 300 800 | standard - 8 steel knife | 24 |
| 90 | BU 101 301 000 | resist - 10 steel knife Superprof MAX | 24 |
| 250 | BS 531 001 000 | washer m10 din 125 | 48 |
| 380 | BB 011 000 090 | starlock 9mm | 1 |



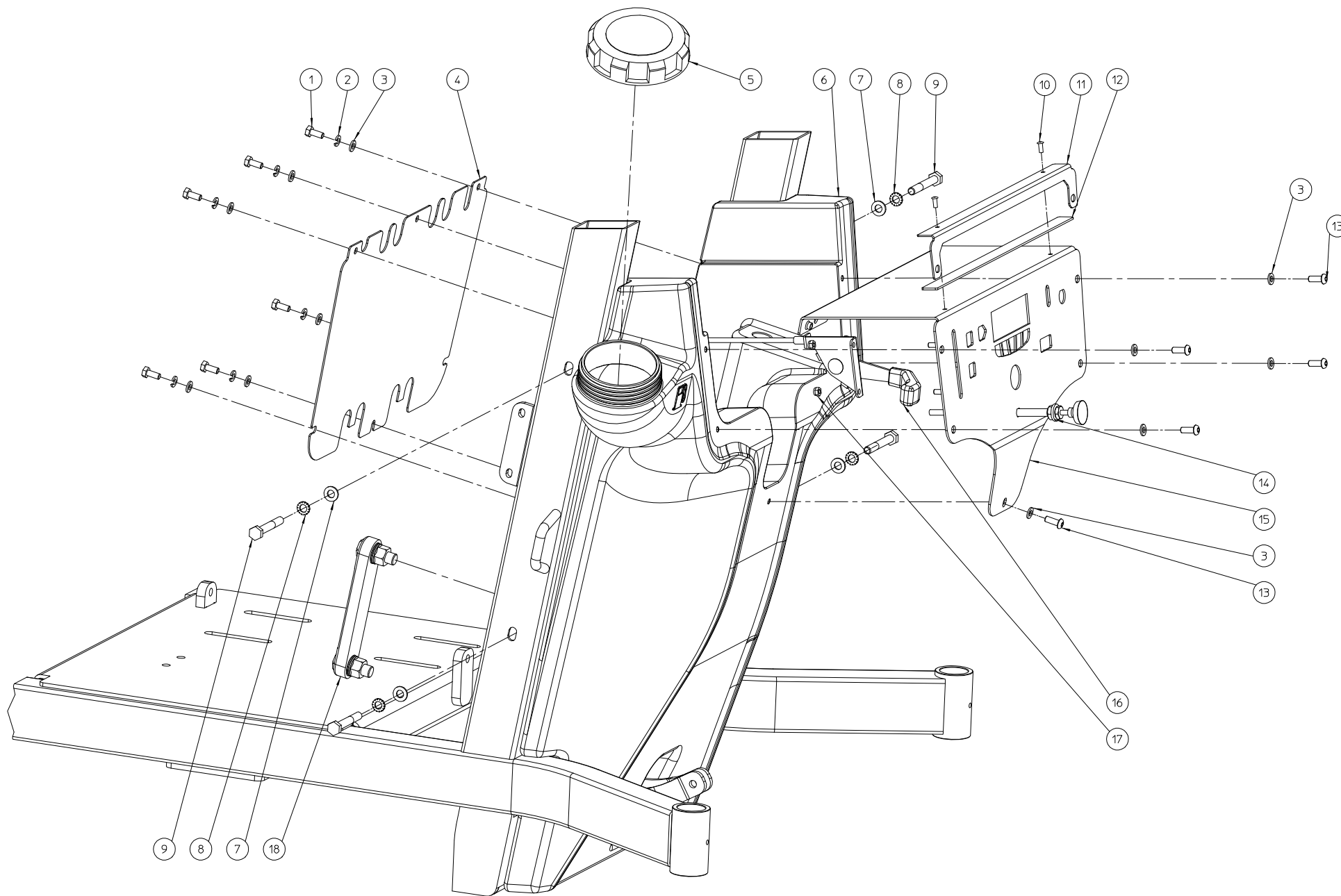
| | | | | | |
|----|----------------|-----|---|------|------------|
| NO | MMA 01 073 150 | REV | 1 | DATE | 2015/10/28 |
|----|----------------|-----|---|------|------------|

| # | Order nr | article description | quantity |
|----|----------------|---|----------|
| 1 | BS 522 500 616 | screw m6x16 iso 7380 | 4 |
| 2 | BS 532 006 183 | washer m6x18x1.5 | 4 |
| 3 | BS 512 000 630 | bolt m6x30 din 933 | 2 |
| 4 | BS 531 000 600 | washer m6 din 125 | 4 |
| 5 | BO 530 600 001 | hook | 2 |
| 6 | BS 502 000 600 | self locking nut m6 din 985 | 6 |
| 7 | BN 230 100 202 | plastic handgripp 15x5x6 pvc | 1 |
| 8 | BR 020 501 250 | tube cap Ø 25mm | 1 |
| 9 | MPA 01 073 610 | lever flap control | 1 |
| 10 | BN 530 108 800 | clamp levers | 2 |
| 11 | BB 011 000 080 | starlock 8mm | 8 |
| 12 | MPA 01 073 270 | flap election | 1 |
| 13 | MPA 01 310 540 | directional valves blow chute low | 1 |
| 14 | BQ 501 010 090 | sticker eliet 100x35 | 2 |
| 15 | MPA 01 311 080 | axle valve - up | 1 |
| 16 | BS 554 100 825 | bolt m8x25 din 603 | 4 |
| 17 | MPA 01 311 090 | axle valve - down | 1 |
| 18 | MPA 01 073 600 | rod flap ejection | 1 |
| 19 | BS 533 000 600 | lock washer m6 din 127b | 6 |
| 20 | MPA 01 073 260 | support flap ejection | 1 |
| 21 | BN 230 100 408 | plastic grip 1" | 1 |
| 22 | MPA 01 073 250 | rear | 1 |
| 23 | BS 512 001 025 | bolt m10x25 din 933 | 2 |
| 24 | BS 531 001 000 | washer m10 din 125 | 8 |
| 25 | MPA 01 073 630 | flange rotation ejector | 1 |
| 26 | BS 502 001 000 | self locking nut m10 din 985 | 4 |
| 27 | BS 502 000 800 | self locking nut m8 din 985 | 6 |
| 28 | BS 531 000 800 | washer m8 din 125 | 13 |
| 29 | MPA 01 073 620 | flange hinge ejector | 1 |
| 30 | MPA 01 073 520 | tube connection | 3 |
| 31 | BS 512 000 820 | bolt m8x20 din 933 | 2 |
| 32 | BS 533 000 800 | lock washer m8 din 127b | 2 |
| 33 | MPA 01 073 290 | lock 10mm | 1 |
| 34 | BS 521 100 630 | screw m6x30 din 912 | 2 |
| 35 | BO 530 600 002 | socket | 2 |
| 36 | BR 930 070 020 | support discharge tunnel | 1 |
| 37 | BR 001 512 031 | epdm cellular rubber adhesive 3 x 12 x 480 mm | 1 |
| 38 | BR 112 100 600 | nylon bushing with collar (10/13.5/25x6/2.5) | 2 |
| 39 | BS 512 001 030 | bolt m10x30 din 933 | 2 |
| 40 | BS 512 000 830 | bolt m8x30 din 933 | 4 |
| 41 | MPA 01 073 280 | handle ejection | 1 |
| 42 | BN 630 208 200 | lob knob m8x20 | 1 |
| 43 | BR 930 070 010 | discharge tunnel | 1 |

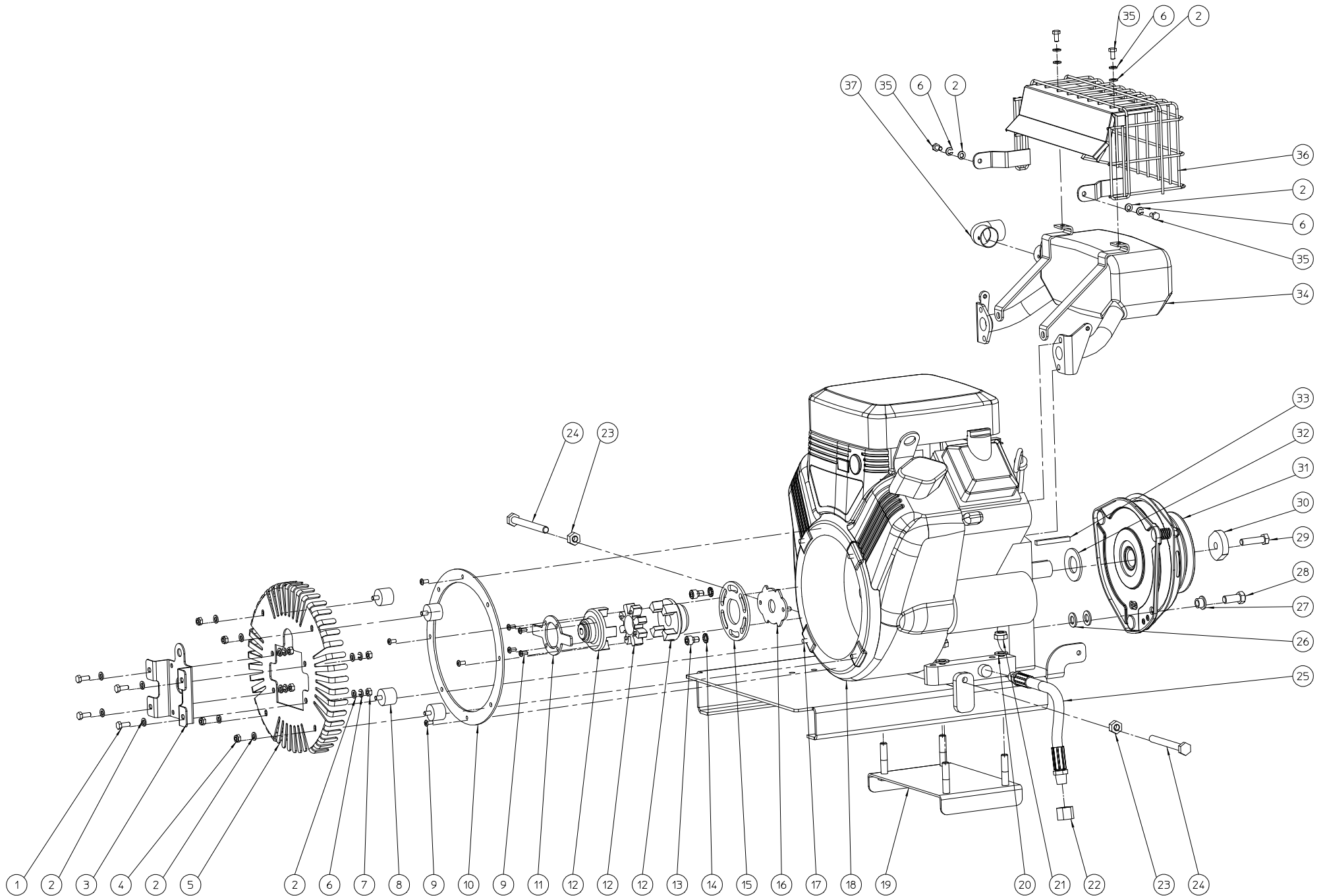


| | | | | | |
|----|----------------|-----|---|------|------------|
| NO | MMA 01 073 160 | REV | 1 | DATE | 2015/12/03 |
|----|----------------|-----|---|------|------------|

| # | Order nr | article description | quantity |
|----|----------------|--|----------|
| 1 | BA 565 714 001 | pulley spa 140x25x8 | 1 |
| 2 | BB 351 080 740 | key 8x7x40 din 6885a | 1 |
| 3 | BS 023 000 812 | set screw m8x12 din 916 | 2 |
| 4 | BA 521 212 070 | xpa 1207 quad-power iii | 1 |
| 5 | BS 511 001 246 | bolt m12x70 din 931 | 1 |
| 6 | BA 599 006 101 | idler roller Ø60 | 1 |
| 7 | BS 531 001 200 | washer m12 din 125 | 4 |
| 8 | BS 533 001 200 | lock washer m12 din 127b | 2 |
| 9 | BS 501 001 200 | nut m12 din 934 | 1 |
| 10 | BS 502 000 800 | self locking nut m8 din 985 | 14 |
| 11 | BS 531 000 800 | washer m8 din 125 | 14 |
| 12 | BL 801 502 502 | bearing + flanges ucpf 205 | 2 |
| 13 | BS 554 100 820 | bolt m8x20 din 603 | 6 |
| 14 | MPA 01 073 320 | | 1 |
| 15 | MPA 01 041 260 | bearing protection cover pf205 + shaft | 1 |
| 16 | BS 522 500 816 | screw m8x16 iso 7380 | 8 |
| 17 | MPA 01 073 170 | ejection tray | 1 |
| 18 | BR 112 201 290 | nylon bushing with collar (12x16x20) | 4 |
| 19 | BB 120 040 200 | locking 4x20 din 1481 | 2 |
| 20 | BV 907 000 030 | | 2 |
| 21 | BS 554 100 616 | bolt m6x16 din 603 | 2 |
| 22 | MPA 01 073 700 | | 1 |
| 23 | BS 531 000 600 | washer m6 din 125 | 2 |
| 24 | BS 502 000 600 | self locking nut m6 din 985 | 2 |
| 25 | MPA 01 073 670 | | 2 |
| 26 | BS 501 901 200 | nut m12 din 439 | 1 |
| 27 | BS 551 001 254 | eye bolt m12x140 din 444 | 1 |
| 28 | MPA 01 330 810 | spacer tightener pulley | 1 |
| 29 | BL 001 203 703 | bearing 6301 2rz | 2 |

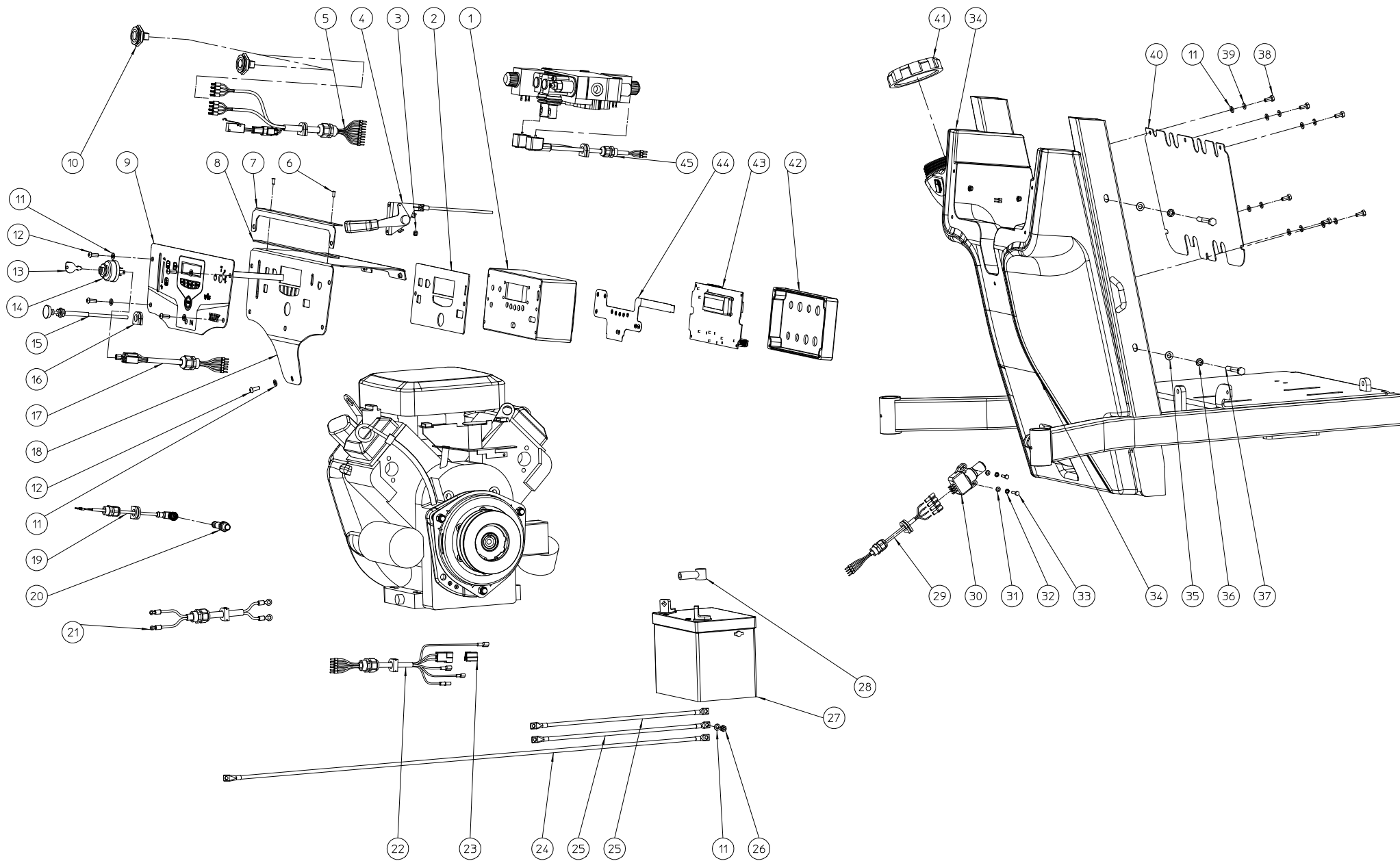


| # | Order nr | article description | quantity |
|----|----------------|--------------------------------|----------|
| 1 | BS 512 000 614 | bolt m6x14 din 933 | 6 |
| 2 | BS 533 000 600 | lock washer m6 din 127b | 6 |
| 3 | BS 531 000 600 | washer m6 din 125 | 11 |
| 4 | MPA 01 073 800 | closure control panel | 1 |
| 5 | BH 720 505 885 | cap for tank | 1 |
| 6 | BY 717 212 020 | plastic tank zwart 20l | 1 |
| 7 | BS 531 000 800 | washer m8 din 125 | 4 |
| 8 | BS 534 000 800 | lock washer m8 din 6798a | 4 |
| 9 | BS 511 000 844 | bolt m8x60 din 931 | 4 |
| 10 | BB 221 104 100 | pop plug alu 3.9x10 din 7337 a | 2 |
| 11 | MPA 01 073 880 | set square control panel | 1 |
| 12 | BR 900 001 700 | extern isolation | 1 |
| 13 | BS 522 500 616 | screw m6x16 iso 7380 | 5 |
| 14 | BK 181 151 060 | choke control | 1 |
| 15 | MPA 01 073 370 | control panel | 1 |
| 16 | BK 164 310 900 | throttle control + cable | 1 |
| 17 | BS 502 000 500 | self locking nut m5 din 985 | 2 |
| 18 | BH 730 404 005 | level gauge 127 mm | 1 |



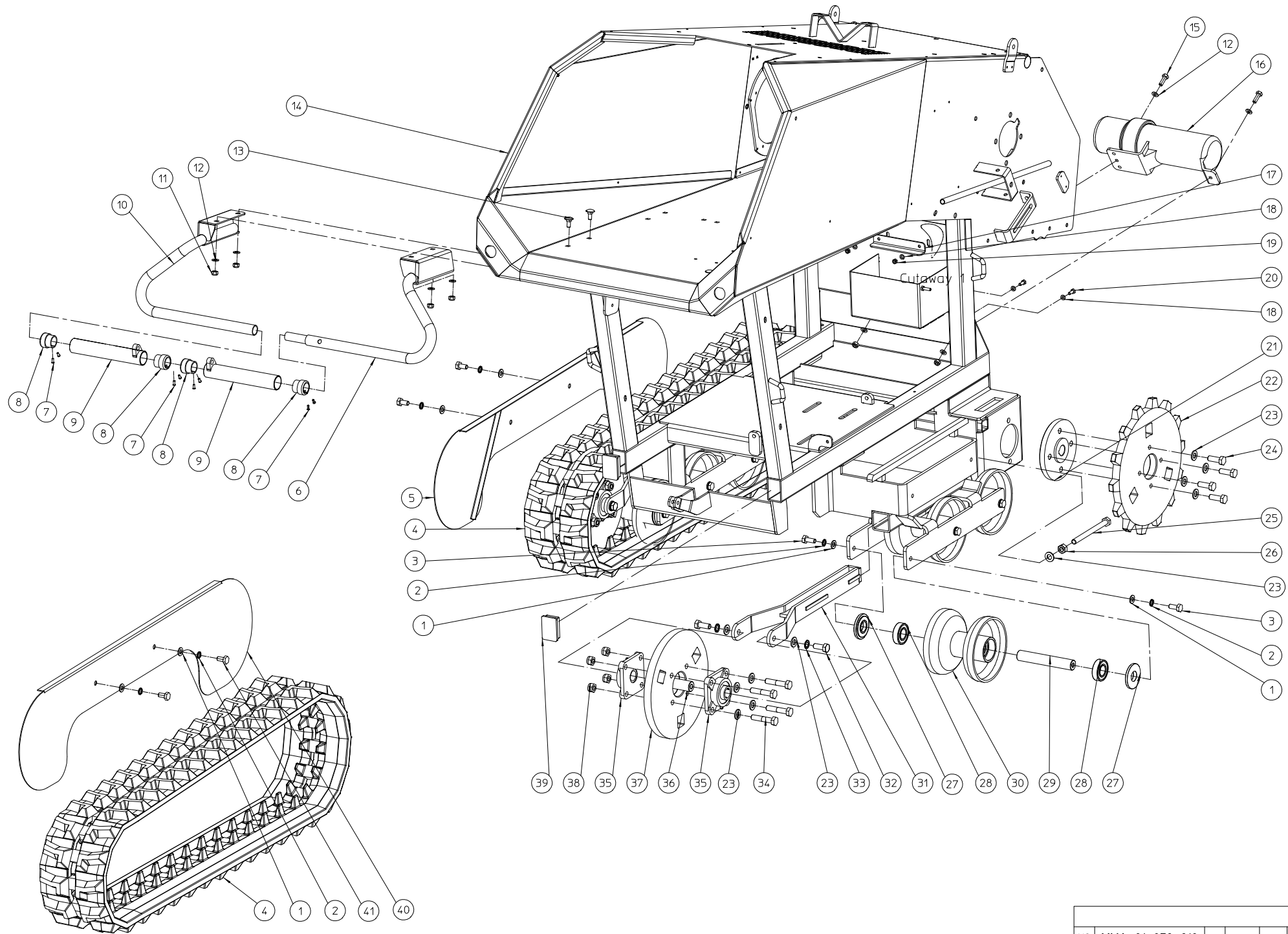
| SP 2015 CC -- ENGINE | | | | | | |
|----------------------|----------------|-----|---|------|------------|--|
| NO | MMA 01 073 182 | REV | 1 | DATE | 2016/06/22 | |

| # | Order nr | article description | quantity |
|----|--------------------|--------------------------------------|----------|
| 1 | BS 512 000 616 | bolt m6x16 din 933 | 4 |
| 2 | BS 531 000 600 | washer m6 din 125 | 16 |
| 3 | MPA 01 073 820 | | 1 |
| 4 | BS 502 000 600 | self locking nut m6 din 985 | 4 |
| 5 | MPA 01 073 390 | | 1 |
| 6 | BS 533 000 600 | lock washer m6 din 127b | 8 |
| 7 | BS 501 000 600 | nut m6 din 934 | 4 |
| 8 | BR 600 225 201 | antivibration blocks 25x20b m6x10 | 4 |
| 9 | BB 221 005 100 | pop plug steel 4.8x10 din 7337 a | 8 |
| 10 | MPA 01 070 670 | engine housing reinforcement | 1 |
| 11 | MPA 01 073 720 | rotation measuring point | 1 |
| 12 | BA 201 210 100 | elastic coupling m20x1.5 | 1 |
| 13 | BS 521 100 812 | screw m8x12 din 912 | 2 |
| 14 | BS 534 000 800 | lock washer m8 din 6798a | 2 |
| 15 | MPA 01 070 680 | connecting disk for elastic coupling | 1 |
| 16 | MPA 01 070 690 | centring coupling | 1 |
| 17 | MPA 01 071 050 | support reinforcement ring | 4 |
| 18 | BM 201 318 001 073 | | 1 |
| 19 | MPA 01 070 230 | engine fixing plate | 1 |
| 20 | BS 531 001 000 | washer m10 din 125 | 4 |
| 21 | BS 502 001 000 | self locking nut m10 din 985 | 4 |
| 22 | BT 174 150 600 | terminal nut 3/8" | 1 |
| 23 | BS 501 001 000 | nut m10 din 934 | 2 |
| 24 | BS 512 001 050 | bolt m10x100 din 933 | 2 |
| 25 | BH 551 060 320 | flexible hydraulic hose 3/8"x320 | 1 |
| 26 | BS 531 001 100 | | 2 |
| 27 | BR 112 101 011 | | 1 |
| 28 | BS 512 951 125 | | 1 |
| 29 | BS 511 041 040 | | 1 |
| 30 | MPA 01 074 380 | | 1 |
| 31 | BA 250 104 010 | electrical coupling spa 118 ii | 1 |
| 32 | BS 033 525 501 | | 2 |
| 33 | BB 342 060 657 | key 6.35x6.35x57 din 6880 | 1 |
| 34 | BM 261 300 200 | muffler | 1 |
| 35 | BS 512 000 612 | bolt m6x12 din 933 | 4 |
| 36 | BM 261 300 100 | muffler guard | 1 |
| 37 | BT 122 172 828 | copper elbow 28mm | 1 |



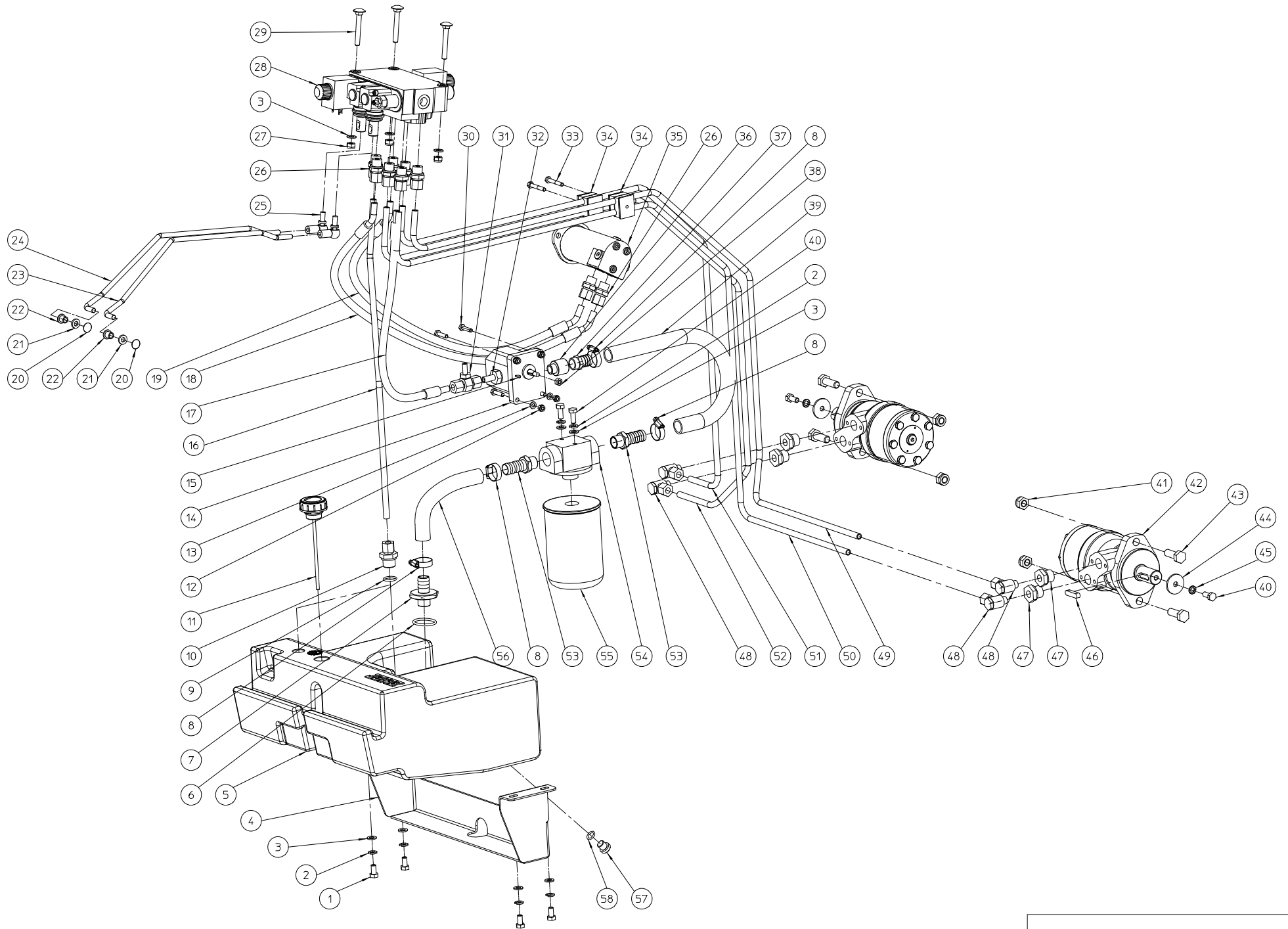
| | | | | | |
|----|----------------|-----|---|------|------------|
| NO | MMA 01 073 190 | REV | 1 | DATE | 2016/03/10 |
|----|----------------|-----|---|------|------------|

| # | Order nr | article description | quantity |
|----|----------------|--------------------------------|----------|
| 1 | BE 142 412 101 | electrical bay | 1 |
| 2 | BR 900 001 690 | isolation electrical bay | 1 |
| 3 | BS 502 000 500 | self locking nut m5 din 985 | 4 |
| 4 | BK 164 310 900 | throttle control + cable | 1 |
| 5 | BE 099 000 606 | cable control buttons | 1 |
| 6 | BB 221 104 100 | pop plug alu 3.9x10 din 7337 a | 2 |
| 7 | MPA 01 073 880 | set square control panel | 1 |
| 8 | BR 900 001 700 | extern isolation | 1 |
| 9 | BE 700 021 000 | control panel | 1 |
| 10 | BE 120 081 420 | control button | 2 |
| 11 | BS 531 000 600 | washer m6 din 125 | 12 |
| 12 | BS 522 500 616 | screw m6x16 iso 7380 | 5 |
| 13 | BM 260 691 959 | ignition key | 1 |
| 14 | BM 260 692 318 | ignition switch | 1 |
| 15 | BK 181 151 060 | choke control | 1 |
| 16 | BR 000 213 521 | rubber grommets | 1 |
| 17 | BE 099 000 602 | cable ignition switch | 1 |
| 18 | MPA 01 073 370 | control panel | 1 |
| 19 | BE 099 000 607 | cable sensor | 1 |
| 20 | BE 400 010 200 | sensor | 1 |
| 21 | BE 099 000 609 | cable power requirement | 1 |
| 22 | BE 099 000 601 | engine cable | 1 |
| 23 | BE 032 180 907 | housing | 1 |
| 24 | BE 090 281 031 | red wire 16mm | 1 |
| 25 | BE 090 180 371 | black wire 16mm | 2 |
| 26 | BS 502 000 600 | self locking nut m6 din 985 | 1 |
| 27 | BE 240 120 300 | battery 12v 30ah | 1 |
| 28 | BR 701 010 150 | terminal cover | 1 |
| 29 | BE 099 000 605 | cable rear safety interlock | 1 |
| 30 | BE 120 030 020 | safety switch | 1 |
| 31 | BS 531 000 400 | washer m4 din 125 | 2 |
| 32 | BS 534 000 400 | lock washer m4 din 6798a | 2 |
| 33 | BS 512 000 420 | bolt m4x20 din 933 | 2 |
| 34 | BY 717 212 020 | plastic tank zwart 20l | 1 |
| 35 | BS 531 000 800 | washer m8 din 125 | 4 |
| 36 | BS 534 000 800 | lock washer m8 din 6798a | 4 |
| 37 | BS 511 000 844 | bolt m8x60 din 931 | 4 |
| 38 | BS 512 000 614 | bolt m6x14 din 933 | 6 |
| 39 | BS 533 000 600 | lock washer m6 din 127b | 6 |
| 40 | MPA 01 073 800 | closure control panel | 1 |
| 41 | BH 720 505 885 | cap for tank | 1 |
| 42 | BE 142 412 102 | cover electrical bay | 1 |
| 43 | BE 700 023 000 | pcb sp2015 | 1 |
| 44 | BE 700 022 000 | led print | 1 |
| 45 | BE 099 000 604 | cable solenoid valve | 1 |



| | | | | | |
|----|----------------|-----|---|------|------------|
| NO | MMA 01 073 210 | REV | 1 | DATE | 2015/10/27 |
|----|----------------|-----|---|------|------------|

| # | Order nr | article description | quantity |
|----|----------------|--|----------|
| 1 | BS 531 001 000 | washer m10 din 125 | 16 |
| 2 | BS 534 001 000 | lock washer m10 din 6798a | 16 |
| 3 | BS 512 001 025 | bolt m10x25 din 933 | 12 |
| 4 | BW 818 072 370 | crawler track | 2 |
| 5 | MPA 01 070 900 | protection left | 1 |
| 6 | MPA 01 073 410 | steer right | 1 |
| 7 | BB 221 104 100 | pop plug alu 3.9x10 din 7337 a | 8 |
| 8 | BR 910 000 010 | nylon bushing with collar (25/30/34x30/15) | 4 |
| 9 | MPA 01 073 440 | control pipe cross country | 2 |
| 10 | MPA 01 073 420 | steer left | 1 |
| 11 | BS 502 000 800 | self locking nut m8 din 985 | 6 |
| 12 | BS 531 000 800 | washer m8 din 125 | 9 |
| 13 | BS 554 100 820 | bolt m8x20 din 603 | 4 |
| 14 | MPA 01 073 500 | | 1 |
| 15 | BS 512 000 825 | bolt m8x25 din 933 | 2 |
| 16 | BQ 790 010 020 | document holder 320 mm | 1 |
| 17 | MPA 01 070 970 | square battery | 1 |
| 18 | BS 531 000 600 | washer m6 din 125 | 4 |
| 19 | BS 502 000 600 | self locking nut m6 din 985 | 2 |
| 20 | BS 512 000 616 | bolt m6x16 din 933 | 2 |
| 21 | BA 281 504 502 | hub rear wheel Ø12,5mm | 2 |
| 22 | MPA 01 070 880 | back wheel | 2 |
| 23 | BS 531 001 200 | washer m12 din 125 | 22 |
| 24 | BS 512 001 235 | bolt m12x35 din 933 | 8 |
| 25 | BS 512 001 255 | bolt m12x150 din 933 | 2 |
| 26 | BS 501 001 200 | nut m12 din 934 | 2 |
| 27 | MPA 01 071 030 | washer | 12 |
| 28 | BL 002 505 203 | bearing 6205 zz | 12 |
| 29 | MPA 01 071 040 | axle idler | 6 |
| 30 | MPA 01 071 020 | idler | 6 |
| 31 | MPA 01 071 000 | tightener | 2 |
| 32 | BS 512 001 230 | bolt m12x30 din 933 | 4 |
| 33 | BS 534 001 200 | lock washer m12 din 6798a | 4 |
| 34 | BS 511 001 244 | bolt m12x60 din 931 | 8 |
| 35 | BL 711 272 505 | bearing ufc205 | 4 |
| 36 | MPA 01 070 980 | axle front wheel | 2 |
| 37 | MPA 01 070 890 | front wheel | 2 |
| 38 | BS 502 001 200 | self locking nut m12 din 985 | 8 |
| 39 | BR 021 160 400 | cap 60x40 | 2 |
| 40 | MPA 01 070 990 | protection right | 1 |
| 41 | BS 512 001 020 | bolt m10x20 din 933 | 4 |



| | | | | | |
|----|----------------|-----|---|------|------------|
| NO | MMA 01 073 220 | REV | 1 | DATE | 2016/02/25 |
|----|----------------|-----|---|------|------------|

| # | Order nr | article description | quantity |
|----|----------------|--|----------|
| 1 | BS 512 000 816 | bolt m8x16 din 933 | 4 |
| 2 | BS 533 000 800 | lock washer m8 din 127b | 6 |
| 3 | BS 531 000 800 | washer m8 din 125 | 9 |
| 4 | MPA 01 073 230 | support oil reservoir | 1 |
| 5 | BY 717 212 012 | oil reservoir | 1 |
| 6 | BH 812 345 350 | o-ring 34,52 x 3,53 mm viton | 1 |
| 7 | MPA 01 073 890 | adaptor Ø 20mm - 1/2" | 1 |
| 8 | BT 670 117 290 | hose clamp 17x29mm | 4 |
| 9 | BH 812 180 300 | o-ring Ø 18 x 3 mm viton | 1 |
| 10 | BH 509 251 009 | male stud coupling 10lx1/2" hole 10 | 1 |
| 11 | BH 720 704 112 | filler cap | 1 |
| 12 | BS 502 000 600 | self locking nut m6 din 985 | 4 |
| 13 | BS 531 000 600 | washer m6 din 125 | 4 |
| 14 | BH 210 103 200 | hydraulic pump 3.2cc | 1 |
| 15 | BB 321 020 512 | key 2x5x12.65 din 6888 | 1 |
| 16 | MPA 01 074 150 | hydraulic pipe (pump return) | 1 |
| 17 | BH 551 040 490 | flexible hydraulic hose 1/4"x490 | 1 |
| 18 | BH 551 040 871 | flexible hydraulic hose 1/4"x870 | 1 |
| 19 | BH 551 040 800 | flexible hydraulic hose 1/4"x800 | 1 |
| 20 | BB 011 000 080 | starlock 8mm | 2 |
| 21 | BR 111 080 300 | nylon bushing (8,2/16x3) | 2 |
| 22 | BR 112 081 300 | nylon bushing with collar (8/11/16x13/2) | 2 |
| 23 | MPA 01 073 860 | link rod traction control cc | 1 |
| 24 | MPA 01 073 850 | link rod traction control | 1 |
| 25 | BA 230 010 800 | ball joint m8 | 2 |
| 26 | BH 509 211 006 | male stud coupling 10lx3/8" | 9 |
| 27 | BS 502 000 800 | self locking nut m8 din 985 | 3 |
| 28 | BH 400 401 310 | hydraulic valve sd5-3 | 1 |
| 29 | BS 554 100 844 | bolt m8x60 din603 | 3 |
| 30 | BS 512 000 625 | bolt m6x25 din 933 | 4 |
| 31 | BH 563 000 100 | manometer coupler 10lxm16x2 | 1 |
| 32 | BH 512 671 006 | standpipe adaptor 10sr3/8" | 1 |
| 33 | BS 511 000 640 | bolt m6x40 din 931 | 2 |
| 34 | BH 711 020 010 | pipe clamp b-10mm ass. | 2 |
| 35 | BH 331 204 001 | hydraulic engine mm f s 40 c - II | 1 |
| 36 | BT 134 280 608 | messaging 3/8x1/2 | 1 |
| 37 | BT 136 260 820 | insert connector for hose 20x1/2 | 1 |
| 38 | BS 501 000 700 | nut m7 din 934 | 1 |
| 39 | BR 220 619 045 | flexible suction pipe Ø19x450mm | 1 |
| 40 | BS 512 000 820 | bolt m8x20 din 933 | 4 |
| 41 | BS 502 001 200 | self locking nut m12 din 985 | 4 |
| 42 | BH 331 525 000 | hydraulic engine mr n 250 cd | 2 |
| 43 | BS 512 001 235 | bolt m12x35 din 933 | 4 |
| 44 | BS 532 008 356 | washer m8x35x3 | 2 |
| 45 | BS 534 000 800 | lock washer m8 din 6798a | 2 |
| 46 | BB 351 080 735 | key 8x7x35 din 6885a | 2 |
| 47 | BH 514 100 804 | reduction stud (m-f) 1/2"-1/4" | 4 |
| 48 | BH 513 111 004 | banjo 10lx1/4" | 4 |
| 49 | MPA 01 074 140 | hydraulic pipe st 4 cc | 1 |
| 50 | MPA 01 074 130 | hydraulic pipe st 3 cc | 1 |
| 51 | MPA 01 074 120 | hydraulic pipe st 2 cc | 1 |
| 52 | MPA 01 074 110 | hydraulic pipe st 1 cc | 1 |

| | | | |
|----|----------------|--------------------------------|---|
| 53 | BT 136 261 219 | adaptor Ø 19mm - 3/4" | 2 |
| 54 | BH 280 612 121 | hydraulic filter 3/4" | 1 |
| 55 | BH 280 212 000 | oil filter (return) | 1 |
| 56 | BR 220 619 018 | flexible suction pipe Ø19x18cm | 1 |
| 57 | BH 518 500 400 | blanking plug 1/4" | 1 |
| 58 | BH 802 012 250 | o-ring Ø 12 x 2,5 mm | 1 |